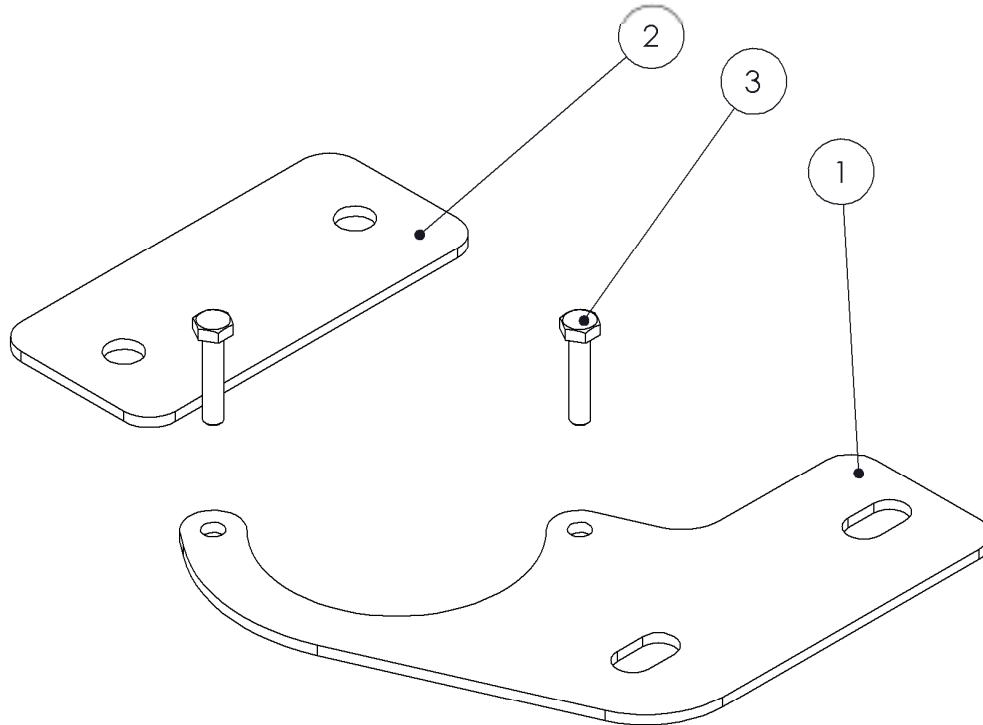


**132032**

2012+ JEEP JK VACUUM PUMP RELOCATE  
KIT

**OFF CAMBER  
FABRICATIONS**

by: **MBRP** INC.



1. DRIVER SIDE BRACKET
2. PASSENGER SIDE BRACKET
3. M6x30 HEX BOLT [2 PCS]

### **PLEASE READ BEFORE STARTING INSTALLATION**

While MBRP Inc. has made every effort to ensure that all components of this kit are of superior quality and properly packaged, it is the installer's responsibility to ensure the following before starting:

- that ALL components shown above are present.
- that ALL mating components fit together.
- that there are no damaged components.
- that the kit you have purchased is appropriate for your year and model of vehicle.
- that the kit will not interfere with any modifications previously installed or planned.
- that you have read and understand these instructions.

If you have any questions or are uncertain about any aspect of the installation of this kit on your vehicle please contact your dealer before commencing installation.

## 132032 Jeep JK Vacuum Pump Relocate Kit



Figure 1

1. Start by removing the front bumper and the plastic filler panel located between the bumper and the grill shell. The bumper is secured by eight [8] nuts located on the backside of the bumper. Be sure to disconnect the fog lamp wiring.

2. Unplug the electrical connector, vent line, and the vacuum line by releasing the green lock clip and sliding the tube off of the pump. Remove the two [2] M6 flange nuts and set aside. Remove the pump from the Jeep.

**Refer to Figure 1.**



Figure 2

3. Remove the frame mounted vacuum pump bracket by cutting/grinding the welds.

**Refer to Figure 2.**



Figure 3

4. Assemble the vacuum pump and **Driver Side Bracket** as shown. The rubber isolators need to be flipped upside down on the pump housing. Secure with the supplied **M6 Bolts** and the previously removed M6 flange nuts. Note: It may be necessary to relieve the pump housing to provide clearance between the housing and the bracket.

**Refer to Figure 3.**

# OFF CAMBER FABRICATIONS

by: **MBRP** Inc.



Figure 4

5. Remove both driver side sway bar bracket bolts and pull the bar downward. Insert the vacuum pump and bracket assembly between the sway bar bracket and the frame. Reinstall the sway bar bracket bolts and tighten. **Refer to Figures 4 and 5.**

6. Remove both passenger side sway bar bracket bolts and install the **Passenger Side Bracket** between the sway bar bracket and the frame. Reinstall the sway bar bracket bolts and tighten.

7. Reconnect the electrical connector, vacuum line and vent line previously removed. Reinstall the front bumper and plastic filler panel.



Figure 5

Congratulations! You are finished. We are sure that you will enjoy this

***Off Camber Fabrications*** product by ***MBRP Inc.***

**With this kit installed you can now enjoy the following products on your 12+ Jeep JK.**

- **130716 Front Light Bar Kit**
- **130924 Front Winch Bumper Kit – Full Width**
- **131092 Front Bumper Kit – Full Width**
- **131093 Front Winch Bumper Kit – Stubby**
- **131094 Front Bumper Kit - Stubby**